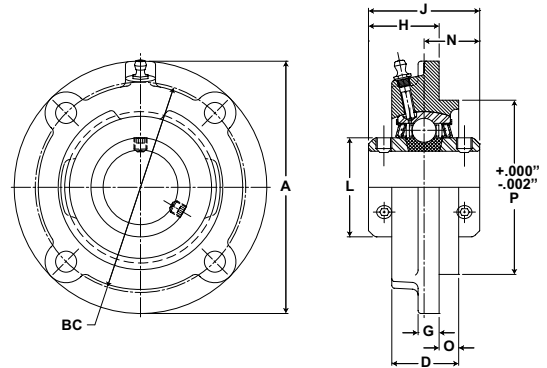


SEALMASTER® Performance Mounted Ball Bearings



Duty: Medium
Rolling Elements: Ball
Housing: Cast Iron Piloted Flange Cartridge
Self Alignment: +/- 2 Degrees
Lock: Double Setscrew
Seal: Felt
Optional Seal: Contact
Temperature: -20° to 220°F



MFC Series Medium Duty Flange Cartridge Units With Double Lock - Setscrew Locking

Bore Diameter inch	Part No.	Bearing Insert No.	Basic Dynamic Rating lb/N	Dimensions inch / mm										Bolt Size	Unit Wt. lb/kg
				A	BC	D	G	H	J	L	N	O	P*		
1	MFCD-16	3-1	4381 19487	4 3/8 111.1	3 5/8 92.1	1 11/64 29.8	3/8 9.5	1 5/16 33.3	1 3/4 44.5	1 19/32 40.5	11/16 17.5	1/4 6.4	3.000 76.20	5/16	3.8 1.7
1 3/16	MFCD-19	3-13	5782	5	4 1/8	1 9/32	3/8	1 5/16	2	1 55/64	11/16	3/8	3.375	3/8	3.9
1 1/4	MFCD-20	2-14	25718	127.0	104.8	32.5	9.5	33.3	50.8	47.2	17.5	9.5	85.73		1.8
1 7/16	MFCD-23	3-17	7340	5 1/4	4 3/8	1 25/64	7/16	1 1/2	2 5/16	2 1/16	3/4	13/32	3.625	3/8	4.7
1 1/2	MFCD-24	2-18	32648	133.4	111.1	35.3	11.1	38.1	58.7	52.4	19.1	10.3	92.08		2.1
1 11/16	MFCD-27	3-111	7889	6 1/8	5 1/8	1 25/64	7/16	1 9/16	2 1/2	2 15/32	23/32	7/16	4.250	7/16	6.5
1 3/4	MFCD-28	3-112	35090	155.6	130.2	35.3	11.1	39.7	63.5	62.7	18.3	11.1	107.95		3.0
1 15/16	MFCD-31	3-115	9752	6 3/8	5 3/8	1 19/32	7/16	1 9/16	2 5/8	2 23/32	27/32	19/32	4.500	7/16	7.6
2	MFCD-32	2-2	43377	161.9	136.5	40.5	11.1	39.7	66.7	69.1	21.4	15.1	114.30		3.5
2 3/16	MFCD-35	3-23	11789	7 1/8	6	1 25/32	1/2	1 11/16	3 1/8	3 1/8	31/32	27/32	5.000	1/2	10.4
2 1/4	MFCD-36	2-24	52437	181.0	152.4	45.2	12.7	42.9	79.4	79	24.6	21.4	127.00		4.7
2 7/16	MFCD-39	3-27	13971	7 5/8	6 1/2	2 5/32	9/16	1 3/4	3 1/2	3 7/16	1 5/32	1 3/32	5.500	1/2	14.3
2 1/2	MFCD-40	3-28	62143	193.7	165.1	54.8	14.3	44.5	88.9	87.3	29.4	27.8	139.70		6.5
2 11/16	MFCD-43	3-211	14839 66004	8 3/4 222.3	7 1/2 190.5	2 9/32 57.9	9/16 14.3	2 50.8	3 1/2 88.9	3 41/64 92.5	1 9/32 32.5	1 1/32 26.2	6.375 161.93	5/8	18.9 8.6
2 15/16	MFCD-47	3-215	17412	8 3/4	7 1/2	2 13/32	5/8	2	3 7/8	3 59/64	1 15/32	1 7/32	6.375	5/8	20.8
3	MFCD-48	3-3	77449	222.3	190.5	61.1	15.9	50.8	98.4	99.6	37.3	31.0	161.93		9.5
3 7/16	MFCD-55	3-37	21566	10 1/4	8 5/8	2 23/32	3/4	2 21/32	4 7/16	4 25/64	2 7/32	1 3/32	7.375	3/4	32.8
3 1/2	MFCD-56	2-38	95926	260.4	219.1	69.1	19.1	67.5	112.7	111.5	56.4	27.8	187.33		14.9
3 15/16	MFCD-63	3-315	29905	10 7/8	9 3/8	3 7/32	7/8	3 1/2	5 3/8	5 11/64	2 11/16	1 3/32	8.125	3/4	46.0
4	MFCD-64	3-4	133017	276.2	238.1	81.8	22.2	88.9	136.5	131.4	68.3	27.8	206.38		20.9

For Medium Duty Bearing Inserts-Single Lock see page G-95.

*Recommended hole size for pilot 15/16 to 3 1/2 +.000" / -.002" and 3 15/16 to 4 +.000" / -.004".

Metric dimensions for reference only.

Not all parts are available from stock. Please contact customer service for availability (800) 626-2120.

For more information on bearing capabilities outside of our standard offering, please contact Application Engineering (800) 626-2093.